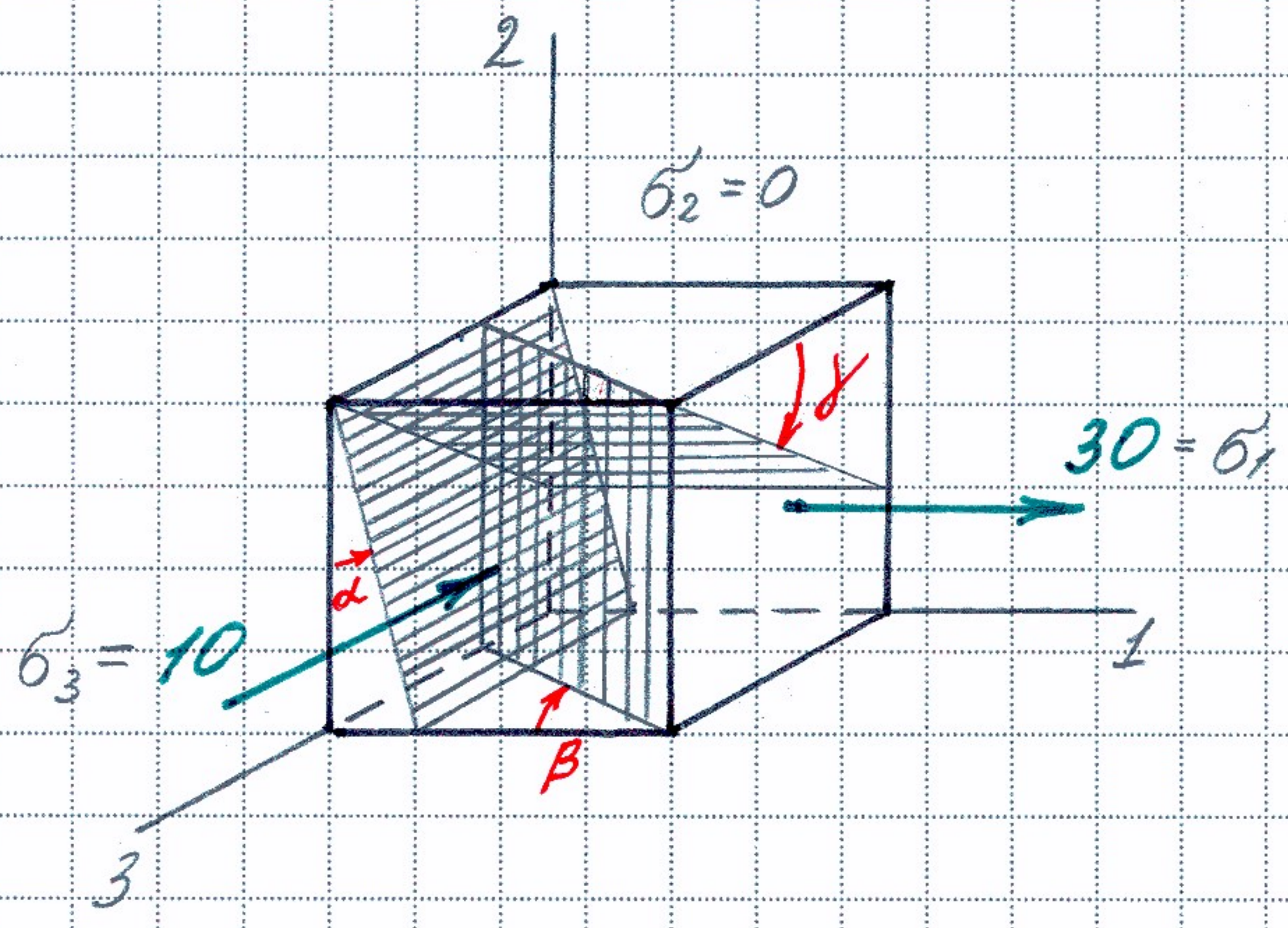


Пример VIII.3



$\sigma_1 = 30 \text{ МПа}$

$\sigma_2 = 0$

$\sigma_3 = -10 \text{ МПа}$

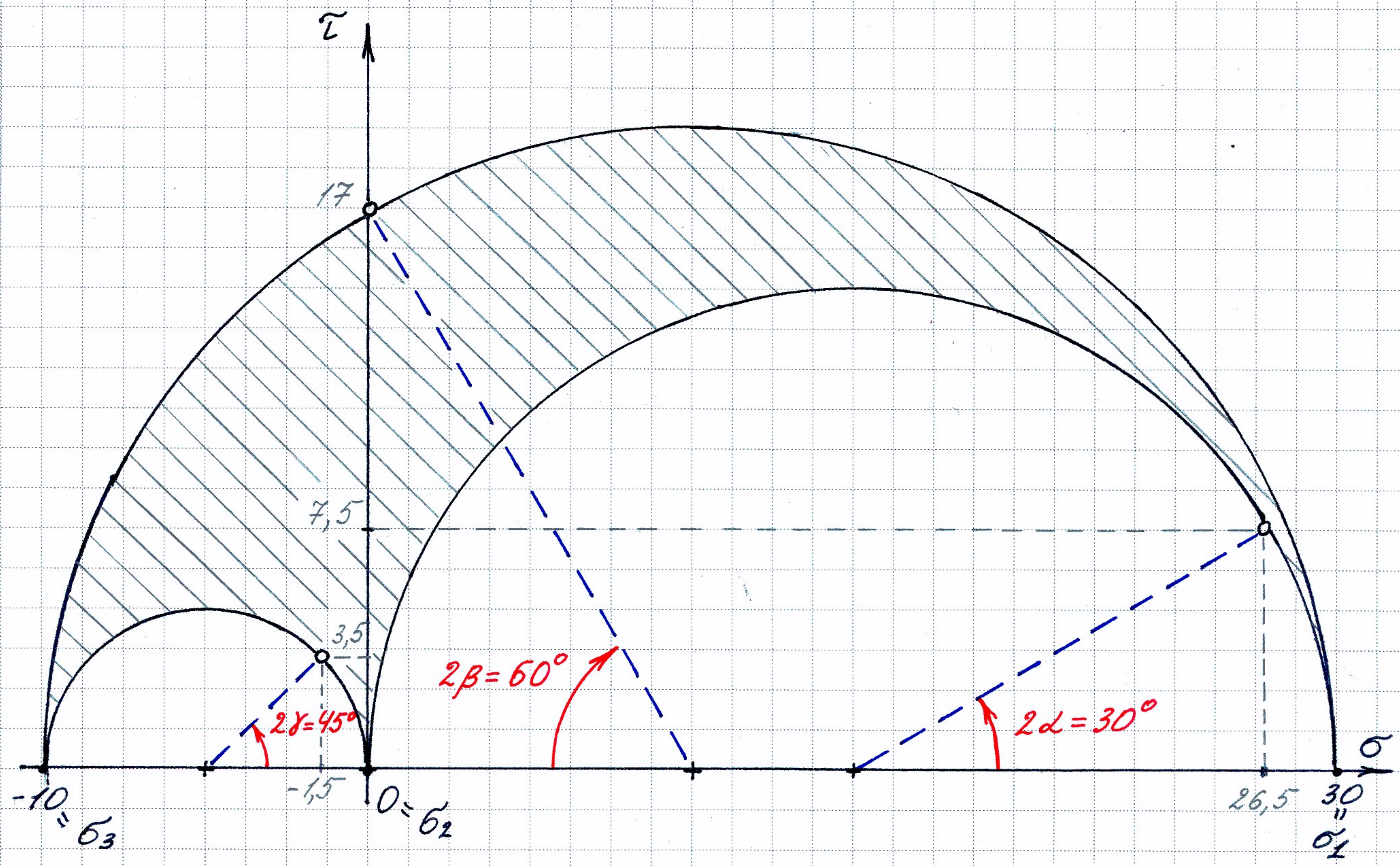
$\alpha = 15^\circ$

$\beta = 30^\circ$

$\gamma = 22,5^\circ$

$\sigma_x, \tau_x, \sigma_y, \tau_y, \sigma_z, \tau_z = ?$

Решение



$\sigma_x = 26,5 \text{ МПа}$

$\sigma_y = 0$

$\sigma_z = -1,5 \text{ МПа}$

$\tau_x = 7,5 \text{ МПа}$

$\tau_y = 17 \text{ МПа}$

$\tau_z = 3,5 \text{ МПа}$